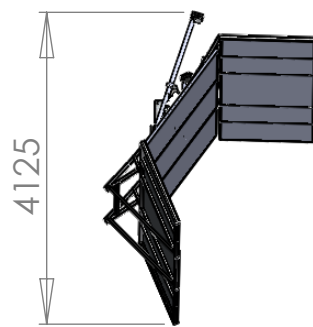
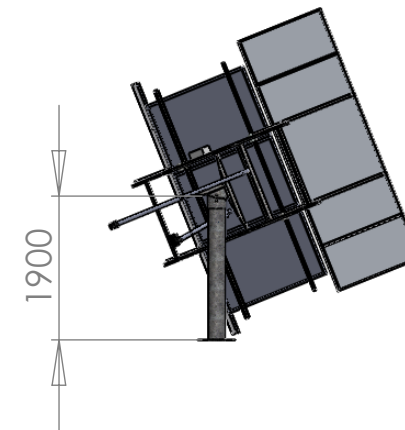
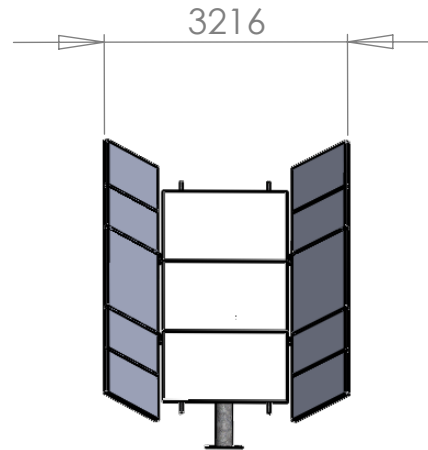
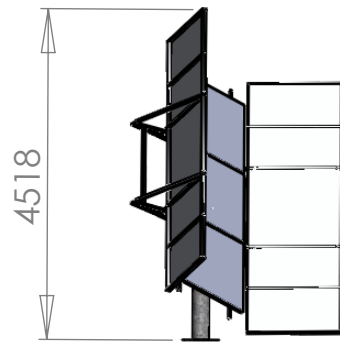


Max. height for latitudes of 45° North in winter peak



Sun tracking:

1st Axis -55° to +55° inclination E-W

2nd Axis 0° to 68° azimuth

UNLESS OTHERWISE SPECIFIED: DIMENSIONS ARE IN MILLIMETERS SURFACE FINISH: TOLERANCES: LINEAR: ANGULAR:				FINISH:		DEBUR AND BREAK SHARP EDGES		DO NOT SCALE DRAWING		REVISION	
	NAME	SIGNATURE	DATE			TITLE:					
DRAWN	Rodrigo Rodrigues		Jan. 2008								
CHK'D											
APPV'D											
MFG											
Q.A											
						DWG NO.		A4			
WEIGHT: ~260 kg						SCALE:1:100		SHEET 1 OF 1			